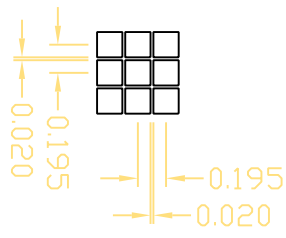
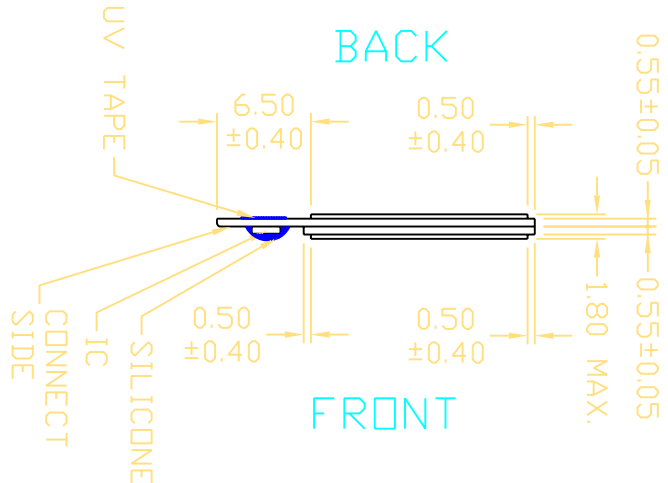
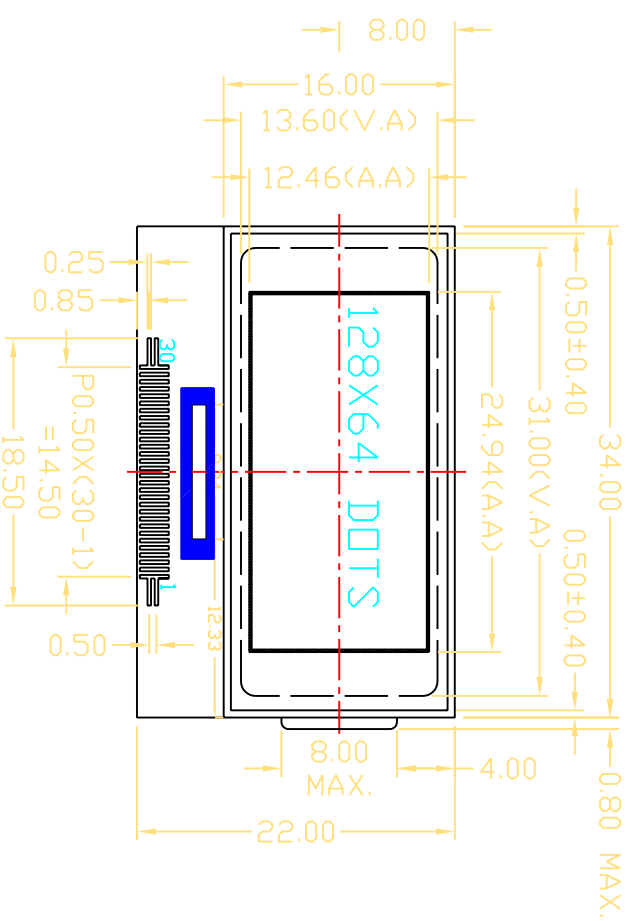


REV:	DESCRIPTION:	BY	DATE
-	RELEASED	J.Y	09/30/03
A	ECD#031003	J.Y	10/23/03



**128X64 DOTS**  
SCALE:10:1

**NOTES:**

1. ALL DIMENSIONS ARE mm.
2. LCD TYPE: FSTN/POSITIVE.
3. POLARIZER MODE: TRANSMISSIVE.
4. VIEWING DIRECTION: 6 O'CLOCK.
5. DRIVE METHOD: 1/65 DUTY; 1/7BIAS.
6. LCD OPERATING VOLTAGE: 9.0V.
7. OPERATING TEMP. -10°C TO +60°C.
8. STORAGE TEMP. -20°C TO +70°C.
9. CONTROLLER IC: ST7565P.
10. GRIND/SAND HEAT SEAL CONTACT LEDGE TO REMOVE ALL SHARP EDGES

PIN#	1	2	3	4	5	6	7	8	9	10	11	12	13	14	15
SMBOL	/CS1	/RES	A0	/WR	/RD	D0	D1	D2	D3	D4	D5	D6	D7	VDD	VSS
PIN#	16	17	18	19	20	21	22	23	24	25	26	27	28	29	30
SMBOL	VOUT	CAP3-	CAP1+	CAP1-	CAP2-	CAP2+	V1	V2	V3	V4	V5	V0	C86	P/S	IRS

TOLERANCE		
>0~6	±0.10	>120~400 ±0.50
>6~30	±0.20	>400~1000 ±0.80
>30~120	±0.30	>1000~2000 ±1.20



DRAWN	Jon.Yong	10/20/03	CHECKED	
STANDARD				
TECHNIC				
QUALITY				
APPROVED				
PROJECTION:				REV: A
DRAWING No. :	12864P/PMOD			
DRAWING TITLE:	KG12864P			
UNITS:	mm			SHEET: 1 OF 1