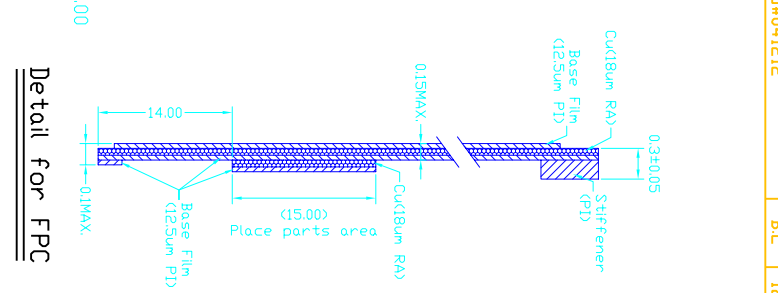
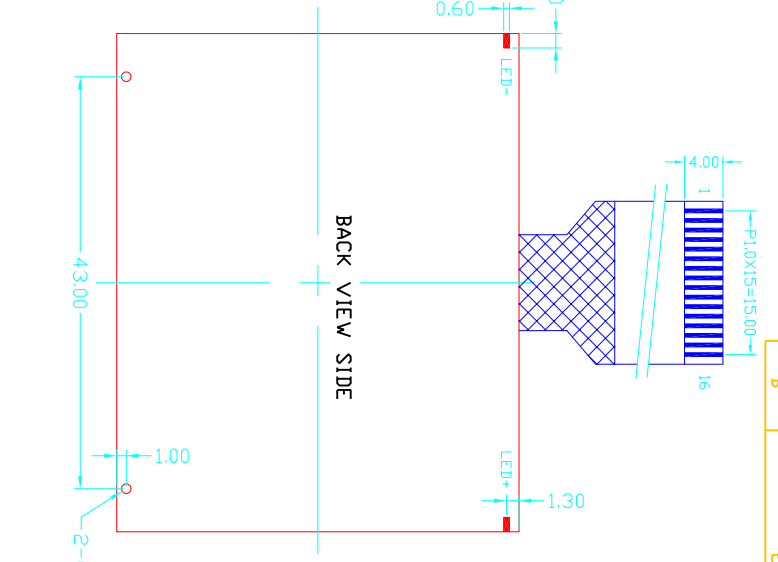
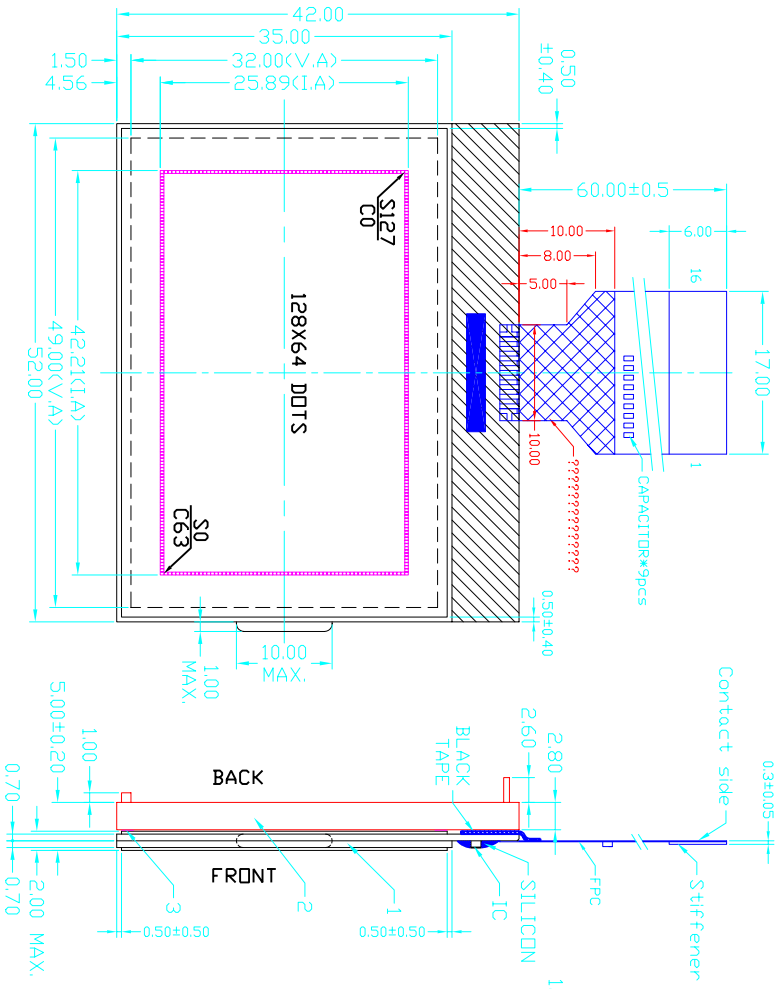
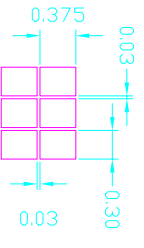


REV:	DESCRIPTION:	BY	DATE
-	RELEASED	ML	09/25/04
A	ECD#041120	P.L	11/17/04
B	ECD#041212	BL	12/31/04



NOTES:

1. ALL DIMENSIONS ARE mm.
2. VIEWING ANGLE: 6:00.
3. DRIVE METHOD: 1/64 DUTY; 1/9BIAS.
4. LCD OPERATING VOLTAGE: TBD.
5. OPERATING TEMP. -20°C TO +75°C.
6. STORAGE TEMP. -30°C TO +80°C.
7. CONTROLLER IC: SOLOMON/SSD1815.
8. FPC的材质要求如图“Detail for FPC”所示。
9. Refer to module product specification and LCD drawing for specific parameter and bill of materials.
10. FPC上有元件的部分及有裸铜线路的部分需要贴上一层绝缘保护膜。
11. 要求在FPC上印上我司的产品型号: FG12864G-FTEIGDM (LCD为POSITIVE), 或 FG12864G-FNEIGDM (LCD为NEGATIVE), 以及产品的生产批号。



128X64 DOTS
SCALE:10:1

FPC Assignment

1	2	3~10	11	12	13	14	15	16
GND	VDD(+3.3V)	D7~D0	E	R/W	D/C	/RES	/CS	GND

LCD	IC
S0~SI27	S0~SI27
C0~C31	C0~C31
C32~C63	C32~C63

Item	Drawing NO.	Name	QTY.	Spec/Material	Notes
3		DOUBLE SIDE TAPE	1		
2	12864GLEDD-X	BACKLIGHT	1	WHITE	
1	12864GLCD-X	LCD DISPLAY	1	FSTN	

DRAWN	Betty.Lion	CHECKED		PROJECTION:		REV: B
STANDARD		TECHNIC		DRAWING No.:	12864G/MOD	
QUALITY		APPROVED		DRAWING TITLE:	KG12864G	



TOLERANCE		
>0~6	±0.10	>120~400 ±0.50
>6~30	±0.20	>400~1000 ±0.80
>30~120	±0.30	>1000~2000 ±1.20

// 1.0° ±0.10; ANGLE: ±3.0°

A

B

C

D

8

7

6

5

4

3

2

1

A

B

C

D